



DW8528

Power Factor Correction IC
for LED Lighting

Ver. 1.7
2017-04.18

CONTENTS

1. GENERAL DESCRIPTION	1
■ Features	1
■ Applications	1
2. BLOCK DIAGRAM	2
3. PIN INFORMATION	3
■ Pin Placement	3
■ Pin Description	3
4. ABSOLUTE MAXIMUM RATINGS	4
5. RECOMMENDED OPERATING CONDITION	4
6. ELECTRICAL SPECIFICATION	5
7. TYPICAL OPERATING CHARACTERISTICS	8
8. TYPICAL APPLICATION CIRCUIT	10
9. PACKAGE DIMENSION	11

1. General Description

The DW8528 is an active boundary-mode power factor correction controller for AC-DC SMPS applications. The DW8528 provides the optimization method of Isolation LED Lighting. The DW8528 is available in a thermally enhanced 8 SOIC package.

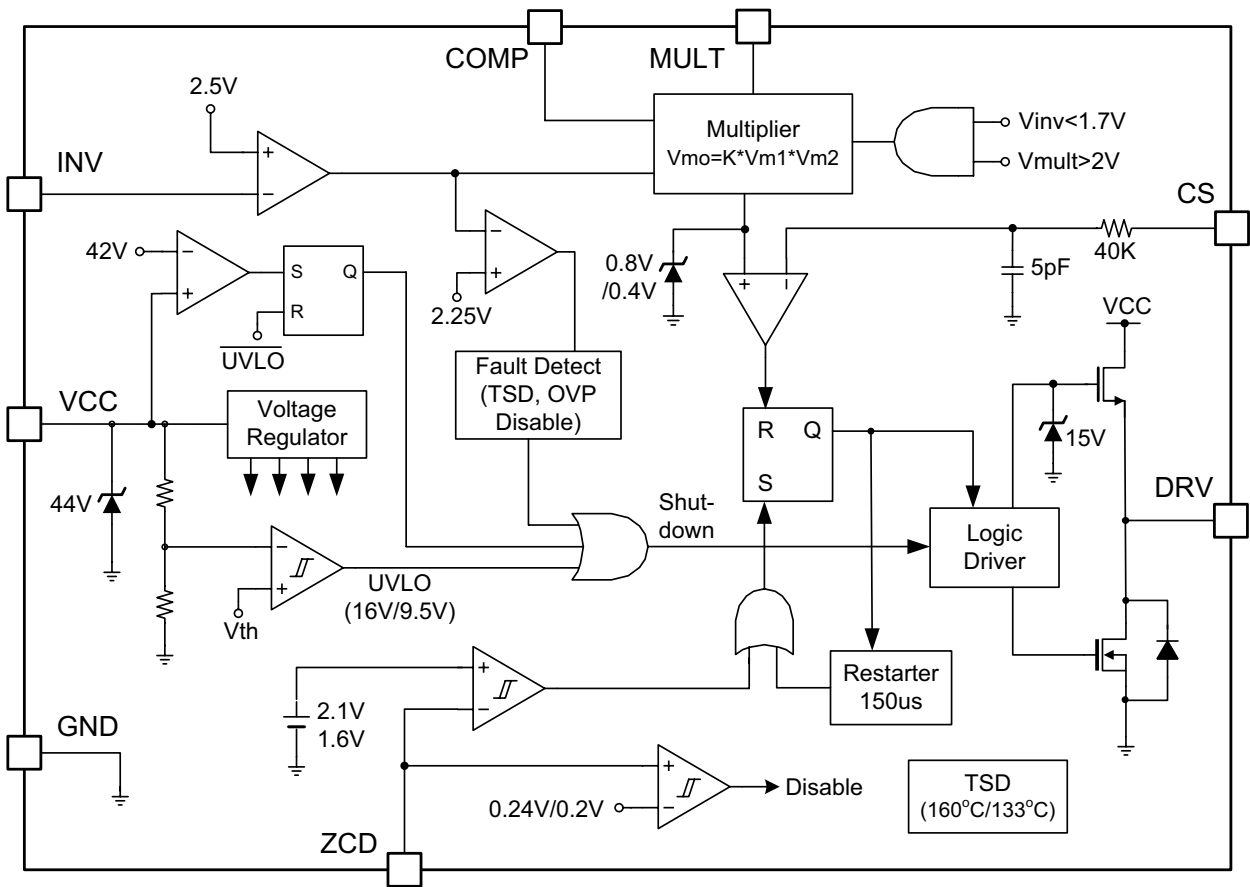
■ Features

- Boundary Mode Power Factor Correction Control
- Improved Power Factor and THD
- Wide Range Supply Voltage
- Under Voltage Lock Out
- Extremely Low Startup Current
- Low Quiescent Current
- Precise Internal Reference Voltage
- Leading Edge Blanking Circuit
- On Chip R/C Filter on CS pin
- Zero Current Switching
- System Power Limit at Feedback Open
- Supply Voltage Over Voltage Protection
- Thermal Shutdown Protection
- Disable Function on ZCD pin
- -600mA/+800mA Totem Pole Gate Driver
- 8 SOIC Package

■ Applications

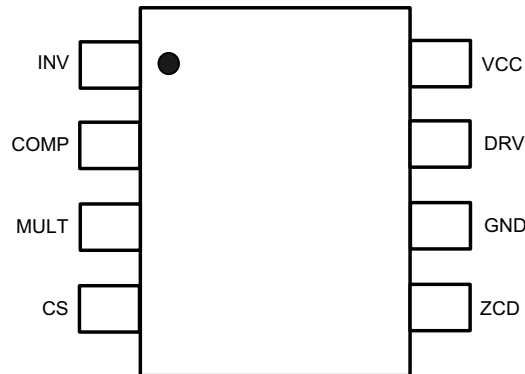
- Single Stage High PF flyback AC/DC SMPS
- LED Lighting Power

2. Block Diagram



3. Pin Information

■ Pin Placement



8SOIC

■ Pin Description

No.	Pin Name	Description	Note
1	INV	Inverting input of the error amplifier	
2	COMP	Output of the error amplifier.	
3	MULT	Input of the multiplier stage. A resistive divider connects to this pin the rectified mains. A voltage signal, proportional to the rectified mains, appears on this pin.	
4	CS	Input to the comparator of the control loop. The current is sensed by a resistor and the resulting voltage is applied to this pin.	
5	ZCD	Zero current detection input. If it is connected to GND, the device is disabled.	
6	GND	Current return for driver and control circuits.	
7	DRV	Gate driver output. A push pull output stage is able to drive the Power NOMS with peak current of +800mA/-600mA.	
8	VCC	Supply voltage of driver and control circuits.	

4. Absolute Maximum Ratings⁽¹⁾

Symbol	Parameter	Ratings
V_{CC}	Maximum Supply Voltage	40 V
I_{CC}	Maximum Supply Current	30 mA
I_{OMAX}	Output Maximum Current (2us)	± 700 mA
V_{IN}	Input Voltage (SS, MULT, CS)	-0.3 ~ 7 V
V_{COMP}	Erramp Output Voltage (COMP)	-0.3 ~ 7 V
I_{ZCD}	ZCD Pin Current	-10/20 mA
$\theta_{JA}^{(2)}$	Package Thermal Resistance	150 °C/W
T_{OPR}	Operating Junction Temperature	-40 ~ 125 °C
T_{STG}	Storage Temperature	-55 ~ 150 °C

Note (1) Stresses above the max. Values listed here may cause permanent damage to the device. Exposure to absolute maximum rating conditions for extended periods may affect device reliability. Maximum ratings are absolute ratings; exceeding only one of these values may cause irreversible damage to the integrated circuit.

(2) θ_{JA} is measured in the convection at $T_a=30\text{ °C}$ on a high effective thermal conductivity test board(4 Layers, 2S2P) of JEDEC 51-7 thermal measurement standard. PCB dimension is 100mmx100mmx1.6mm and 4 layers.

5. Recommended Operating Condition

Symbol	Parameter	Min.	Typ.	Max.	Unit
V_{CC}	Supply voltage	10.3		36	V

6. Electrical Specification

(V_{CC} = 14V, typical values are at TA=+25°C, unless otherwise specified.)

Characteristic	Symbol	Condition	Min.	Typ.	Max.	Unit
SUPPLY VOLTAGE SECTION						
Operating Voltage Range	V _{OP}	After Turn On	10.3	-	36	V
VCC Turn-on Threshold	V _{CCON}	V _{CC} =8~18V	15	16	17	V
VCC Turn-off Threshold	V _{CCOFF}	V _{CC} =18~8V	8.7	9.5	10.3	V
UVLO Hysteresis	V _{CCHYS}	V _{CCON} -V _{CCOFF}	6	6.5	7	V
VCC OVP Threshold Voltage	V _{OVP}	Positive-going	-	42	-	V
VCC Zener Clamp Voltage	V _Z	I _{CC} =25mA	-	44	-	V
SUPPLY VOLTAGE SECTION						
Start-up Current	I _{ST}	V _{CC} =11V	10	30	50	uA
Quiescent Current	I _Q	V _{CC} =14V	1.2	2.5	3.8	mA
	I _{QMAX}	V _{CC} =20V	1.2	3	4.5	mA
Quiescent Current at Disable	I _{QDH}	V _{CC} =14V	0.5	1.2	2	mA
	I _{QDL}	V _{CC} =8V	5	15	30	uA
Quiescent Current at OVP	I _{QOVP}	V _{INV} =2.7V	0.5	1.2	2	mA
Operation Supply Current	I _{CC}	F _{SW} =70KHz	2	3	5	mA
MULTIPLIER SECTION (Note1)						
MULT Input Bias Current	I _{MULT1}	V _{MULT} =0V	-1	-0.1	1	uA
	I _{MULT2}	V _{MULT} =3V	-1	-0.1	1	uA
Multiplier Input Voltage Range	V _{MULT}		0	-	3	V
Multiplier Output Max. Slope	V _{CS} /dV _{MULT}	V _{MULT} =0V, 0.5V	0.7	0.85	1	-
Multiplier Gain	K	V _{MULT} =1V	0.34	0.4	0.46	1/V
ERROR AMPLIFIER SECTION						
Erramp Inverting Voltage	V _{INV}	INV=COMP	2.46	2.5	2.54	V
INV Input Bias Current	I _{INV}	V _{INV} =2.5V	-0.5	-0.1	0.5	uA
INV Line Regulation	R _{LINE}	V _{CC} =12~24V	-	0.1	5	mV
COMP Source Current	I _{COMP}	V _{COMP} =4V	-3	-5	-10	mA
COMP Sink Current	I _{SINK}	V _{COMP} =4V	3	5	-	mA
COMP Upper Clamp Voltage	V _{COMPH}	I _{COMP} =-0.5mA	5.2	5.7	6.2	V
COMP Lower Clamp Voltage	V _{COMPL}	I _{COMP} =0.5mA	2.1	2.25	2.4	V
Static OVP Threshold Voltage	V _{SOVP}		2.1	2.25	2.4	V

6.1. Electrical Specification

(V_{CC} = 14V, typical values are at TA=+25°C, unless otherwise specified.)

Characteristic	Symbol	Condition	Min.	Typ.	Max.	Unit
CURRENT SENSE SECTION (Note2)						
CS Input Bias Current	I _{CS}	V _{CS} =0V	-1	-0.05	1	uA
Leading Edge Blanking Time	T _{LEB}	(Note3)	-	240	-	ns
CS Propagation Delay	T _D	(Note4)	-	180	-	ns
CS Reference Clamp Voltage	V _{CS}		0.7	0.8	0.9	V
CS Offset Voltage	V _{OS}	V _{MULT} =0V	-	10	-	mV
CS Power Limitation Voltage	V _{CSLIM}	V _{INV} =1.4V, V _{MULT} =1.5V	-	0.6	-	V
		V _{INV} =1.4V, V _{MULT} =2V	-	0.4	-	V
ZERO CURRENT DETECTOR SECTION						
ZCD Upper Clamp Voltage	V _{UPPER}	I _{ZCD} =3mA	6	6.7	7.4	V
ZCD Lower Clamp Voltage	V _{LOWER}	I _{ZCD} =-3mA	0.4	0.7	1	V
ZCD Input Threshold Voltage	V _{ZCD}	Positive-going	1.9	2.1	2.3	V
		Negative-going	1.4	1.6	1.8	V
ZCD Input Hysteresis	H _{ZCD}	V _{ZCD} =2.5~1.2V	0.3	0.5	0.7	V
ZCD Input Bias Current	I _{ZCD}	V _{ZCD} =1~4.5V	-4	2	4	uA
ZCD Source Current Capability	I _{ZCDSC}		-3	-	-	mA
ZCD Sink Current Capability	I _{ZCDSI}		3	-	-	mA
Disable Triggering Current	I _{DIS}	V _{ZCD} =0.3V	-12	-6	-3	mA
		Negative-going	150	200	250	mV
Disable Threshold Voltage	V _{DIS}	Positive-going	150	250	350	mV
Holding Current after Disable	I _{HOLD}	V _{ZCD} =0.15V	-120	-75	-30	uA
RESTART TIMER SECTION						
Restart Time Delay	T _{RST}		70	150	300	us
GATE DRIVER SECTION						
DRV Output Low Voltage	V _{OL}	I _{DRV} =100mA	-	0.3	0.6	V
DRV Dropout Voltage	V _{DROP}	V _{CC} =12V, I _{drv} =-100mA	1	1.7	2.5	V
DRV Peak Source Current	V _{DRVSC}	(Note5)	-0.6	-	-	A
DRV Peak Sink Current	V _{DRVSI}	(Note6)	0.8	-	-	A
DRV Rising Time	T _R	Co=1nF (Note7)	-	60	110	ns
DRV Falling Time	T _F	Co=1nF (Note8)	-	30	70	ns
DRV Maximum Clamp Voltage	V _{OMAX}	V _{CC} =20V, I _o =-5mA	11	12.7	14	V
DRV Sink Current at UV	I _{DRV_OFF}	V _{CC} =5V, V _{DRV} =1V	5	10	30	mA

6.2. Electrical Specification

($V_{CC} = 14V$, typical values are at $T_A = +25^\circ C$, unless otherwise specified.)

Characteristic	Symbol	Condition	Min.	Typ.	Max.	Unit
THERMAL SHUTDOWN SECTION						
Thermal Shutdown Temp.	TSD	Positive-going (Note9)	-	160	-	$^\circ C$
		Negative-going (Note10)	-	133	-	$^\circ C$
TSD Hysteresis Temp.	HY_{TSD}	(Note11)	-	27	-	$^\circ C$

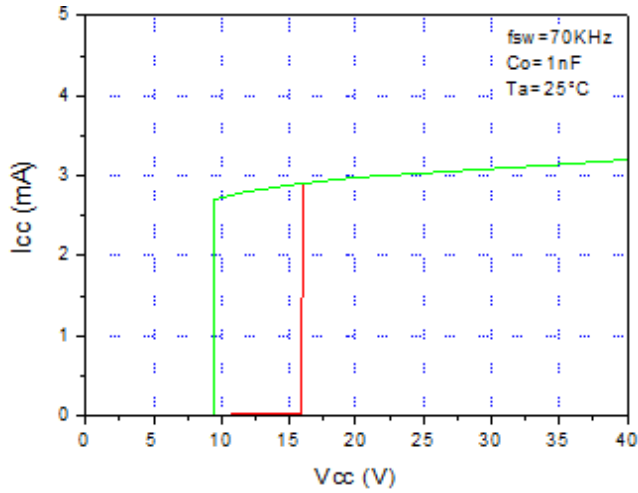
Note 1, 2 : $V_{CS} = K * V_{MULT} * (V_{COMP} - 2.5)$

Note 3, 4, 5, 6, 7, 8, 9, 10, 11 : Parameters are guaranteed by design, but not tested in production.

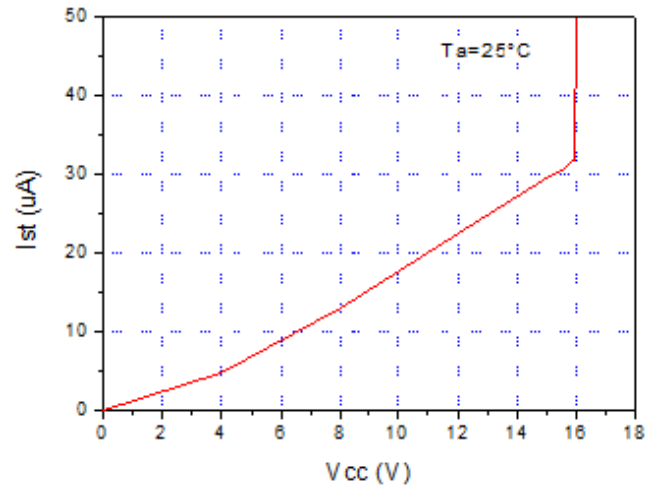
7. Typical Operating Characteristics

(Vcc = 14V, typical values are at Ta=+25°C, unless otherwise specified.)

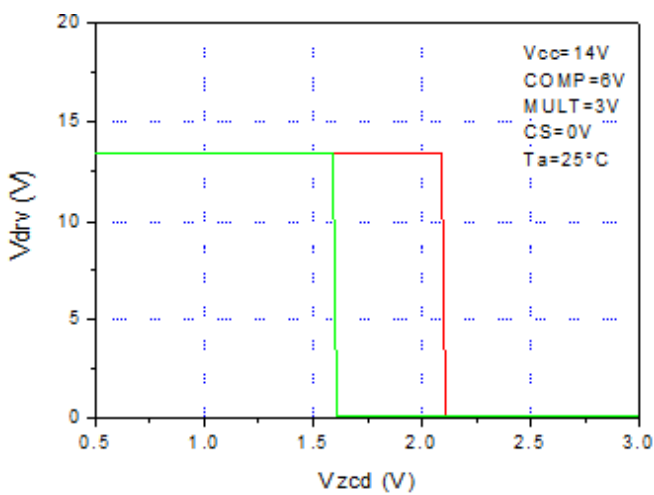
VCC Operating Current



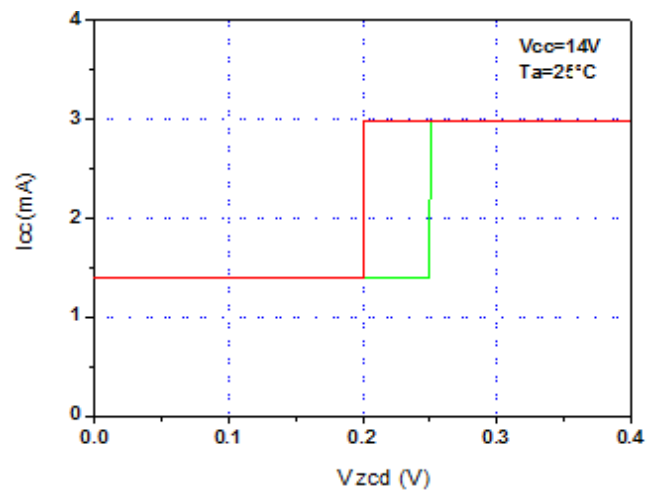
Start-up Current (Ist)



ZCD Input Threshold Voltage



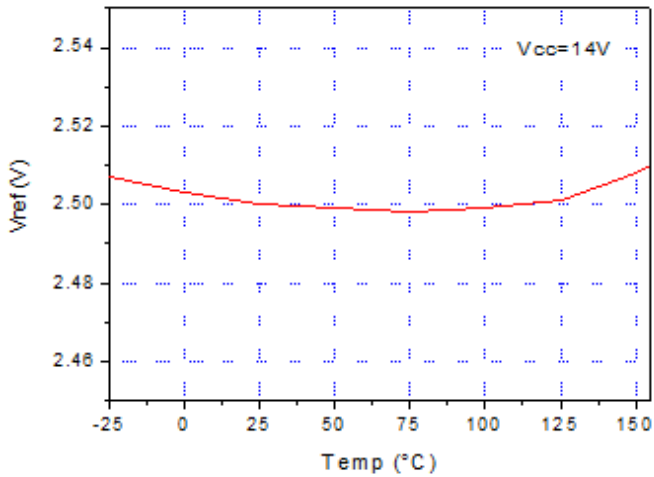
Disable Threshold Voltage



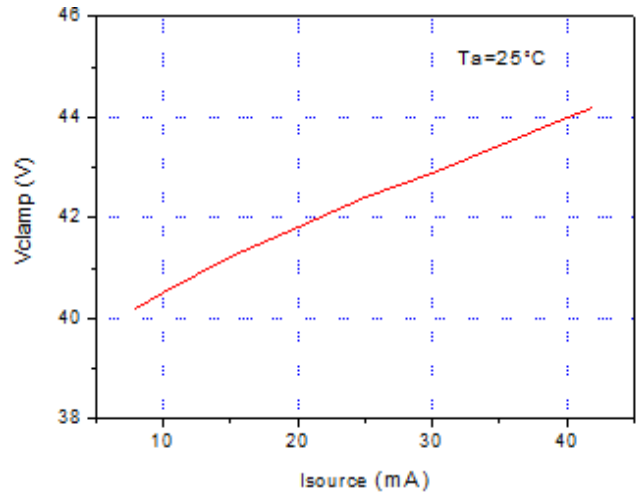
7.1. Typical Operating Characteristics

(V_{CC} = 14V, typical values are at T_A=+25°C, unless otherwise specified.)

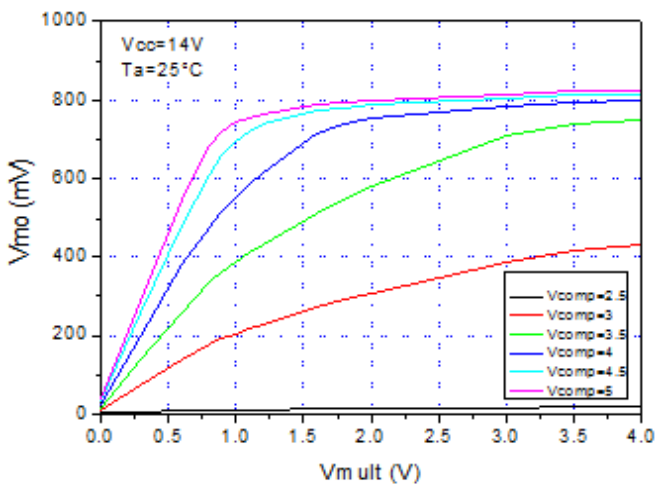
Reference Voltage vs. Temp



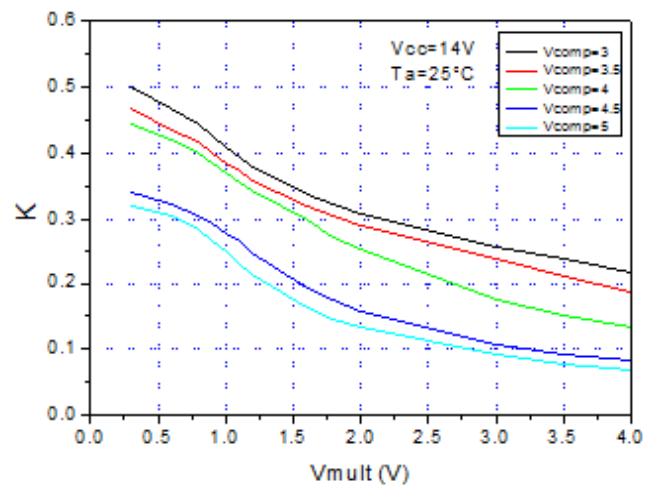
VCC Zener Clamp Voltage



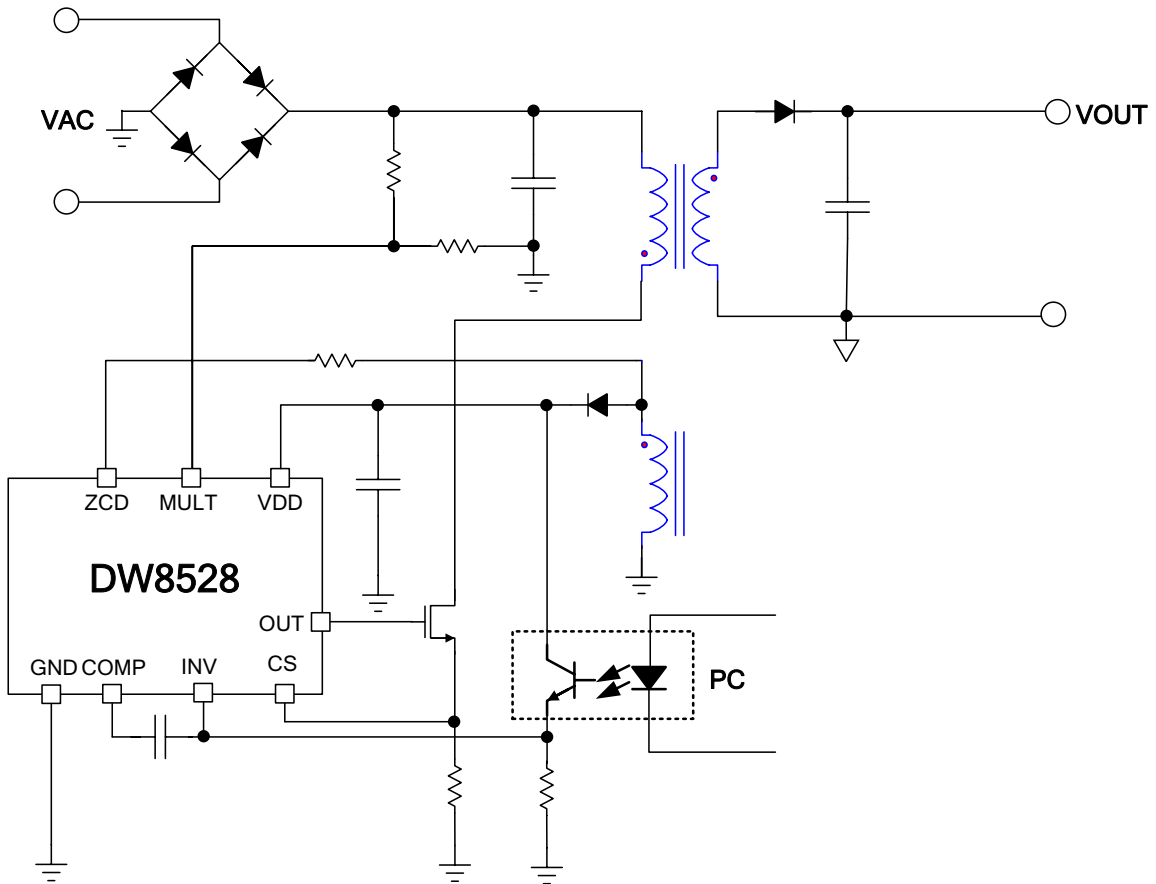
Multiplier Input vs. Output



Multiplier Input vs. Gain

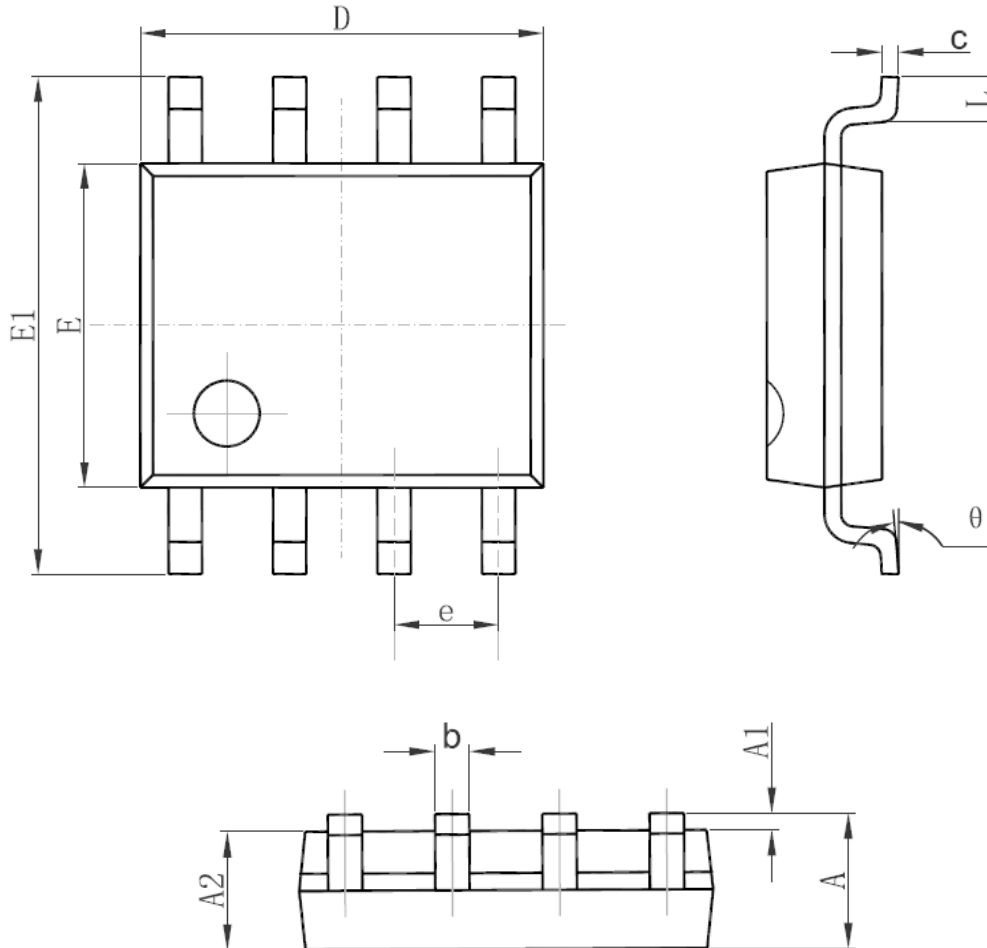


8. Typical Application Circuit



9. Package Dimension

Package Name : 8 SOIC
 Package Size : 6.2mm * 5.1mm, Thickness : 1.75mm
 Pin Pitch : 1.27mm



Symbol	Dimensions In Millimeters		Dimensions In Inches	
	Min	Max	Min	Max
A	1.350	1.750	0.053	0.069
A1	0.100	0.250	0.004	0.010
A2	1.350	1.550	0.053	0.061
b	0.330	0.510	0.013	0.020
c	0.170	0.250	0.006	0.010
D	4.700	5.100	0.185	0.200
E	3.800	4.000	0.150	0.157
E1	5.800	6.200	0.228	0.244
e	1.270 (BSC)		0.050 (BSC)	
L	0.400	1.270	0.016	0.050
θ	0°	8°	0°	8°